



Model Name **MX570 Projector**

Unique selling point

- * 3200ANSI Lumen High Brightness
- * 13000:1 High Contrast Ratio
- * Blu-ray Full HD 3D support
- * Network Standby <0.5W
- * SmartEco

Trade Mark



| | | |
|--|--|---|
| Projection System | DLP | |
| Native Resolution | XGA (1024x768) | |
| Brightness | 3200 ANSI Lumen | |
| Contrast Ratio | 13000:1 | |
| Display Color | 1.07 Billion Colors | |
| Lens | F=2.59~2.87, f=16.88~21.88mm | |
| Aspect Ratio | Native 4:3 (5 aspect ratio selectable) | |
| Throw Ratio | 1.51~1.97 (65"±3% @ 2m) | |
| Image Size (Diagonal) | 60" ~ 300" | |
| Zoom Ratio | 1.3x | |
| Lamp Type | 190W | |
| Lamp(Normal/Eco/SmartEco/LampSave)* | 4500/6000/6500/10000 hours | |
| Keystone Adjustment | 1D, Vertical +/- 40 degrees | |
| Projection Offset | Vertical: 115% ±5% | |
| Resolution Support | VGA(640 x 480) to WUXGA_RB(1920 x 1200)*RB = Reduced blanking | |
| Horizontal Frequency | 15K-102KHz | |
| Vertical Scan Rate | 23-120Hz | |
| Compatibility | HDTV Compatibility | 480i, 480p, 576i, 576p, 720p, 1080i, 1080p |
| | Video Compatibility | NTSC, PAL, SECAM |
| | 3D Compatibility | Frame Sequential: Up to 60Hz 720p |
| | (Please refer to User Manual for detailed support timing.) | Frame Packing: Up to 24 Hz 1080p |
| | | Side by Side: Up to 24Hz 1080p |
| | | Top Bottom: Up to 60Hz 1080p |
| Interface | Computer in (D-sub 15pin) | x 2 |
| | HDMI | x 1 |
| | Monitor out | x 1 |
| | Composite Video in (RCA) | x 1 |
| | S-Video in | x 1 |
| | Audio in (Mini Jack) | x 1 |
| | Audio out (Mini Jack) | x 1 |
| | Speaker | 10W x 1 |
| | LAN(RJ-45) | x1 |
| | USB (Type mini B) | x1 |
| | RS232 (DB-9pin) | x 1 |
| | IR Receiver | x1 (Front) |
| Dimensions | Dimensions(W x H x D) | 283 x 95 x 222 mm (with feet) 283 x 88.7 x 222 mm (without feet) |
| | Weight | 1.9 Kg (4.19 lbs) |
| Power | Power Supply | AC100 to 240 V, 50 to 60 Hz |
| | Power Consumption | Normal 280W, Eco 220W, Network standby <6W, Standby <0.5W |
| | Power Management Function | Automatic power off after 20 minutes without a display source |
| Audible Noise | 33/28 dBA (Normal/Economic mode) | |
| On-Screen Display Languages | Arabic/Bulgarian/ Croatian/ Czech/ Danish/ Dutch/ English/ Finnish/ French/ German/ Greek/ Hindi/ Hungarian/ Italian/ Indonesian/ Japanese/ Korean/ Norwegian/ Polish/ Portuguese/ Romanian/ Russian/ Simplified Chinese/Spanish/ Swedish/ Turkish/ Thai/ Traditional Chinese (28 Languages) | |
| Picture Modes | **Dynamic / Presentation / sRGB / Cinema / (3D) / User 1 / User 2 | |
| Accessories | Standard | Optional |
| | Remote Control w Battery | Power Cord (by region) |
| | User Manual CD | VGA Cable |
| | Quick Start Guide | Warranty Card (by region) |
| | | Spare Lamp Kit |
| | | Ceiling mount kit |
| | | 3D Glasses |
| | | Carry Bag |

*Lamp life results will vary depending on environmental conditions and usage. Actual product's features and specifications are subject to change without notice.

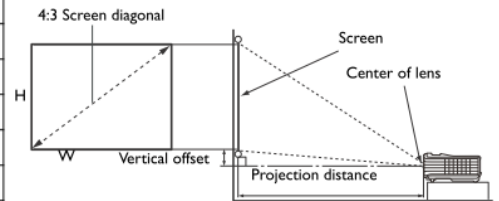
** Default mode is Presentation. When 3D is on, Picture Modes only shows 3D. When 3D is off, it is not shown in Picture Modes.

MX570 Projector

Distance Chart

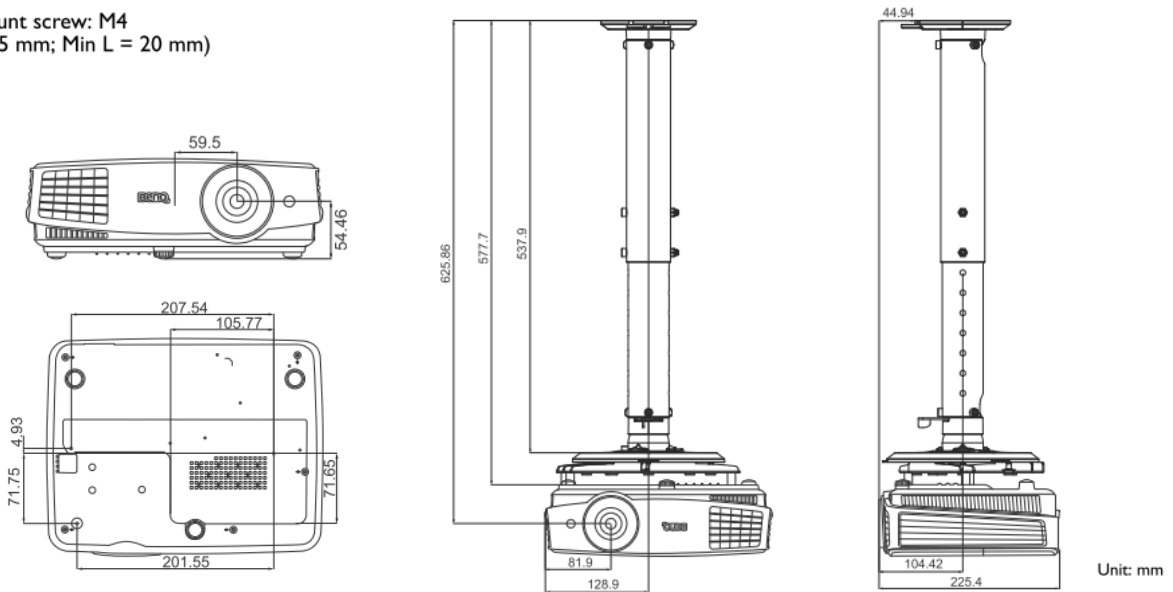
The screen aspect ratio is 4:3 and the projected picture is in a 4:3 aspect ratio

| Screen size | | | | Distance from screen (mm) | | | Vertical offset (mm) |
|-------------|------|--------|--------|---------------------------|---------|------------------------|----------------------|
| Diagonal | | W (mm) | H (mm) | Min length (max. zoom) | Average | Max length (min. zoom) | |
| Inch | mm | | | | | | |
| 30 | 762 | 610 | 457 | 920 | 1061 | 1201 | 34 |
| 40 | 1016 | 813 | 610 | 1227 | 1414 | 1601 | 46 |
| 50 | 1270 | 1016 | 762 | 1534 | 1768 | 2002 | 57 |
| 60 | 1524 | 1219 | 914 | 1841 | 2121 | 2402 | 69 |
| 80 | 2032 | 1626 | 1219 | 2455 | 2829 | 3202 | 91 |
| 100 | 2540 | 2032 | 1524 | 3068 | 3536 | 4003 | 114 |
| 120 | 3048 | 2438 | 1829 | 3682 | 4243 | 4804 | 137 |
| 150 | 3810 | 3048 | 2286 | 4602 | 5304 | 6005 | 171 |
| 200 | 5080 | 4064 | 3048 | 6137 | 7071 | 8006 | 229 |
| 250 | 6350 | 5080 | 3810 | 7671 | 8839 | 10008 | 286 |
| 300 | 7620 | 6096 | 4572 | 9205 | 10607 | 12009 | 343 |

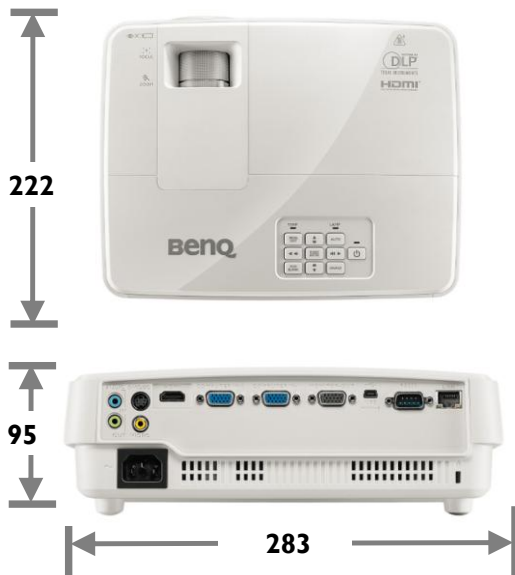


Ceiling mount Chart

Ceiling Mount screw: M4
(Max L = 25 mm; Min L = 20 mm)



Dimension



Unit: mm