



## Model Name

## MX532 Digital Projector

### Unique Selling Point

- \*Dual HDMI inputs for multiplatform digital connectivity
- \*3300 ANSI Lumen High Brightness for Stunning Presentations
- \*15,000:1 High Native Contrast for Crisp Readability
- \*Simple Setup, Intuitive Operation, and Hassle-Free Maintenance
- \*Eco-Friendly Low Total Cost of Ownership

### Trade Mark

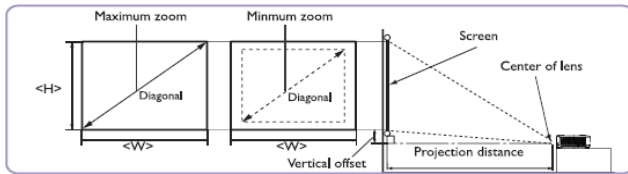


<b>Projection System</b>	DLP	
<b>Native Resolution</b>	XGA (1024 x 768)	
<b>Brightness</b>	<b>3300AL</b>	
<b>Contrast Ratio</b>	15000:1	
<b>Display Color</b>	1.07 Billion Colors	
<b>Lens</b>	F=2.46-2.66, f=21.8-25.6	
<b>Aspect Ratio</b>	Native 4:3 (5 aspect ratio selectable)	
<b>Throw Ratio</b>	1.94-2.32	
<b>Image Size (Diagonal)</b>	30"~300"	
<b>Zoom Ratio</b>	1.2:1	
<b>Lamp Type</b>	UHP 203W	
<b>Lamp Mode (Normal/Eco/SmartEco/LampSave)*</b>	4500/6000/10000 hours	
<b>Keystone Adjustment</b>	1D, Vertical +/- 40 degrees	
<b>Projection Offset</b>	Vertical: 106%±5% (Full image height)	
<b>Resolution Support</b>	VGA(640 x 480) to WUXGA_RB(1920X1200) *RB=Reduced blanking	
<b>Horizontal Frequency</b>	15~102KHz	
<b>Vertical Scan Rate</b>	23~120Hz	
<b>Compatibility</b>	HDTV Compatibility	480i, 480p, 576i, 576p, 720p, 1080i, 1080p
	Video Compatibility	NTSC, PAL, SECAM
	3D Compatibility	Frame Sequential: Up to 60Hz 720p
	(Please refer to User's Manual for detailed support timing.)	Frame Packing: Up to 24 Hz 1080p
		Side by Side: Up to 24Hz 1080p
		Top Bottom: Up to 60Hz 1080p
<b>Interface</b>	Computer in (D-sub 15pin)	x 2 (integrate with component)
	Monitor out (D-sub 15pin)	x 1
	Composite Video in (RCA)	x 1
	S-Video in (Mini DIN 4pin)	x 1
	HDMI	x 2
	Audio in (Mini Jack)	x 1
	Audio out (Mini Jack)	x 1
	Speaker	2W x 1
	USB (Type mini B)	x 1
	RS232 (DB-9pin)	x 1
	IR Receiver	x1 (Front)
<b>Dimensions</b>	Dimensions(W x H x D)	332.4 x 99 x 241.3 mm
	Weight	5.24 lbs (2.38 Kg)
<b>Power</b>	Power Supply	AC100 to 240 V, 50 to 60 Hz
	Power Consumption	260W(Max), 252W(Normal), 211W(Eco), Standby <0.5W
<b>Audible Noise</b>	32/28 dBA (Normal/Economic mode)	
<b>On-Screen Display Languages</b>	Arabic/Bulgarian/ Croatian/ Czech/ Danish/ Dutch/ English/ Finnish/ French/ German/ Greek/ Hindi/ Hungarian/ Italian/ Indonesian/ Japanese/ Korean/ Norwegian/ Polish/ Portuguese/ Romanian/ Russian/ Simplified Chinese/Spanish/ Swedish/ Turkish/ Thai/ Traditional Chinese (28 Languages)	
<b>Picture Modes</b>	Bright Mode/Presentation Mode (Default)/Cinema/(3D)/User 1/User 2	
<b>Accessories</b>	<b>Standard</b>	<b>Optional</b>
	Remote Control w Battery (5JJG706.001)	Spare Lamp Kit (5JJG705.001)
	Warranty Card (by region)	3D Glasses (5JJ9H25.002)
	Power Cord (by region)	Ceiling mount (5JJAM10.001)
	VGA cable	Carry Bag (5JJ4R09.001)
	QSG (4JJG701.001)	

\*Lamp life results will vary depending on environmental conditions and usage. Actual product's features and specifications are subject to change without notice.

# MX532 Digital Projector

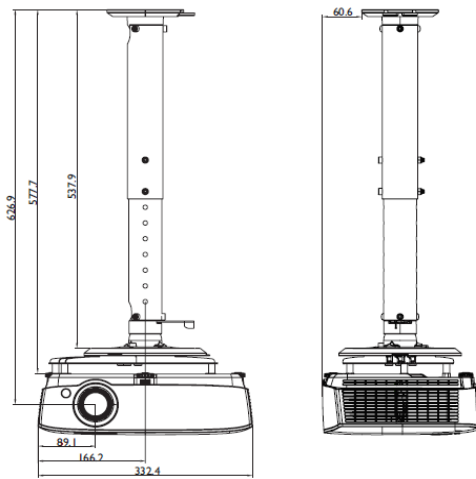
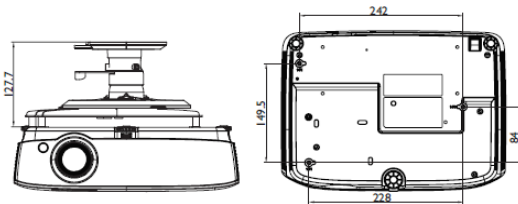
## Distance Chart



Inch	Screen size			Distance from screen(mm)		Vertical offset (mm)	
	mm	W (mm)	H (mm)	Min length (max. zoom)	Average Max length (min. zoom)		
30	762	610	457	1183	1298	1414	27
35	889	711	533	1380	1515	1650	32
40	1016	813	610	1577	1731	1886	37
50	1270	1016	762	1971	2164	2357	46
60	1524	1219	914	2365	2597	2829	55
80	2032	1626	1219	3154	3463	3771	73
100	2540	2032	1524	3942	4328	4714	91
120	3048	2438	1829	4730	5194	5657	110
150	3810	3048	2286	5913	6492	7071	137
200	5080	4064	3048	7884	8656	9428	183
220	5588	4470	3353	8673	9522	10371	201
250	6350	5080	3810	9855	10820	11786	229
300	7620	6096	4572	11826	12984	14143	274

## Wall mount/Ceiling mount Chart

Ceiling mount screw: M4  
(Max L = 25 mm; Min L=20 mm) Unit: mm



## Dimension

