

FEATURE HIGHLIGHTS

- 3,600 LM HIGH BRIGHTNESS AND TRUE BLACK
- LASER BLUE CORE FOR 20,000 HOURS MAINTENANCE FREE
- IP5X DUSTGUARD TO PROOF DUST FOR ADVANCED DURABILITY
- 0.49 SHORT THROW RATIO
- EASY FIRMWARE UPDATER VIA LAN TO SIMPLIFY CENTRALIZED NETWORK MANAGEMENT
- WIRELESS PRESENTATION BY QCAST MIRROR / QCAST (OPTIONAL)



Product Specifications

| | | |
|--|---|---|
| Projection System | DLP Single 0.65" WXGA | |
| DMD type | DC3 DMD chip | |
| Native Resolution | 1280 x 800 pixels, 16 : 10 | |
| Brightness | 3600 Lumens | |
| Contrast Ratio* | 100,000 : 1 | |
| Display Color | 1.07 Billion Colors | |
| Aspect Ratio | Native 16 : 10 (5 aspect ratio selectable) | |
| Projection Offset | 106% | |
| Projection Size | 70"~100" | |
| Throw Ratio | 0.49 | |
| Zoom Ratio | Fixed | |
| Lens Control | Manual Focus | |
| Light Source | Laser | |
| Light Source life** | min 20,000 hrs | |
| Keystone Correction | 1D keystone, Vertical \pm 30 degrees | |
| Resolution Support | VGA (640 x 480) to WUXGA_RB (1920 x 1200) | |
| Horizontal Frequency | 15~102KHz | |
| Vertical Scan Rate | 23 ~ 120 Hz | |
| Compatibility | HDTV Compatibility | 480i, 480p, 576i, 576p, 720p, 1080i, 1080p |
| | Video Compatibility | NTSC, PAL, SECAM |
| Product Dimensions (W x H x D) | 410 x 158 x 272 mm | |
| Product Weight | 5.6 kg | |
| Power Supply | 100 ~ 240V AC | |
| Power Consumption (Max / Normal / Eco) | 286 W / 283 W / 214 W | |
| Standby Power Consumption | Normal < 0.5 W Network < 2 W | |
| Noise Level (Normal / Eco) | 33 / 29 dBA (without dust filter) | |
| Operating Temperature | 0 ~ 40°C | |
| Built-in Speaker | 10 W | |
| Security | Kensington anti-theft lock slot | |
| Feature | Blank for True Black, Digital zoom (2 x), Digital Shrink (0.75 x), LAN Control, AMX / PJ Link / Crestron / Extron IPL Compatible, MDA Compatibility Optional Wireless Display, Optional Interactive module (PW02, PT12) compatibility, Optional Dust Filter | |
| On-Screen Display Languages | Arabic / Bulgarian / Croatian / Czech / Danish / Dutch / English / Finnish / French / German / Greek / Hindi / Hungarian / Italian / Indonesian / Japanese / Korean / Norwegian / Polish / Portuguese / Romanian / Russian / Simplified Chinese / Spanish / Swedish / Turkish / Thai / Traditional Chinese (28 Languages) | |
| Accessories | Standard | Optional |
| | Power Cord 3m (by region) | Wall mount WM06G3 (5J4R10.011) |
| | Remote Control for WW RCE015 (5JJF06.001) | 3D Glasses (5J9H25.002) |
| | Remote Control for J sku RCE013J (5JJGS06.001) | Wireless Dongle: QCast Mirror (5AJH328.10X) |
| | AAA Battery x 2 | Wireless Dongle: QCast (5JJCK28.X01) |
| | VGA cable 1.8m | Dust Filter (5JJF14.001) |
| | Warranty Card (by region) | |
| | QSG (4JJJ01.001) | |
| | User Manual CD (5BJJ01.001) | |

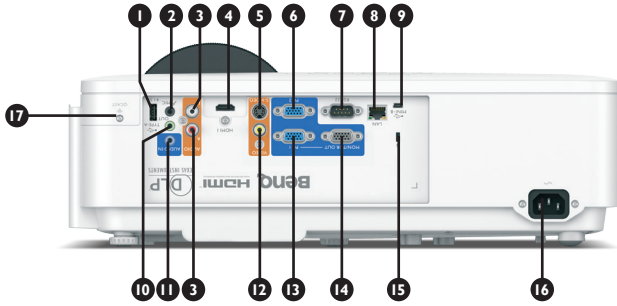
*The Contrast is measure by Full On Full Off standard.

** LightSource life results will vary depending on environmental conditions and usage. Actual product's features and specifications are subject to change without notice.

LW820ST
BenQ DLP Projector

BenQ

Input and Output Terminals



- | | |
|----------------------------------|---|
| 1 USB Type A (5V,1.5A) | 10 Audio output (mini jack) |
| 2 Microphone input (Mini jack) | 11 Audio input (mini jack) |
| 3 Audio L / R input (RCA) | 12 Composite Video input (RCA) |
| 4 HDMI-I | 13 PC I (D-sub 15pin) |
| 5 S-Video input | 14 Monitor output (D-sub 15pin, Female) |
| 6 PC 2 (D-sub 15pin) | 15 Kensington anti-theft lock slot |
| 7 RS232 input (D-sub 9pin, male) | 16 AC Power Jack |
| 8 LAN Port (RJ45 for Network) | 17 QCAST (HDMI / MHL) |
| 9 USB Type mini B (For service) | |

Dimensions



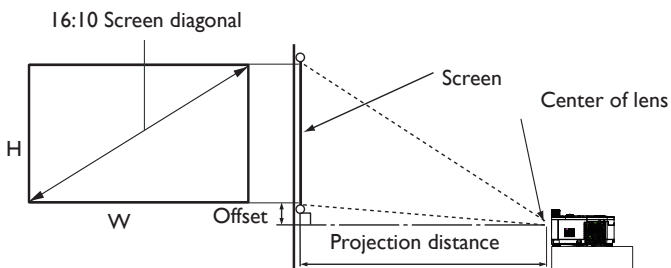
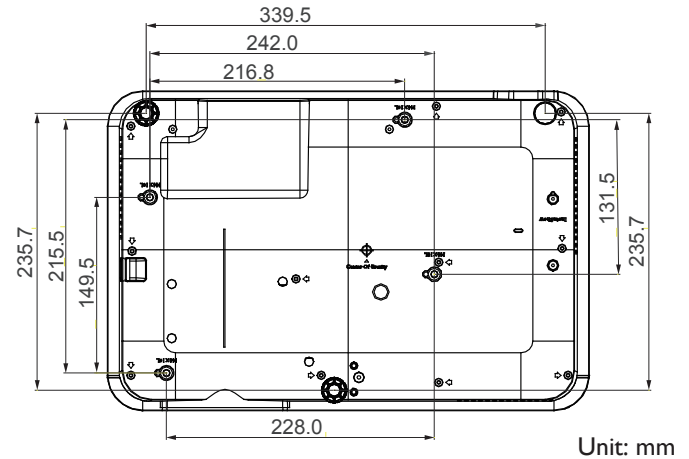
Distance Chart

*The screen aspect ratio is 16 : 10 and the projected picture is in a 16 : 10 aspect ratio.

| Screen size | | | | Projection distance (mm) | Offset (mm) |
|-------------|------|--------|--------|--------------------------|-------------|
| Diagonal | | H (mm) | W (mm) | | |
| Inch | mm | | | | |
| 65 | 1651 | 875 | 1400 | 720 | 53 |
| 70 | 1778 | 942 | 1508 | 780 | 57 |
| 75 | 1905 | 1010 | 1615 | 840 | 61 |
| 80 | 2032 | 1077 | 1723 | 900 | 65 |
| 85 | 2159 | 1144 | 1831 | 960 | 69 |
| 90 | 2286 | 1212 | 1939 | 1010 | 73 |
| 95 | 2413 | 1279 | 2046 | 1070 | 77 |
| 100 | 2540 | 1346 | 2154 | 1130 | 81 |
| 105 | 2667 | 1414 | 2262 | 1190 | 85 |
| 110 | 2794 | 1481 | 2369 | 1250 | 89 |

Ceiling Mount Chart

Ceiling/Wall mount screw: M4
(Max L = 25 mm; Min L = 20 mm)



BenQ Europe B.V.

Meerenakkerweg 1-17
5652 AR Eindhoven
The Netherlands
Tel: +31 88 8889200

business-display.benq.com/en-gb

© 2018 BenQ Corp. Specifications may vary by region, please visit your local stores for details. Actual product's features and specifications are subject to change without notice. This material may include corporate names and trademarks of third parties which are the properties of the third parties respectively.

BenQ