

# MS560

## Digital Projector



### Features

- 5G Crystal Glass Lenses for Pure Clarity
- 4,000 ANSI Lumen High Brightness for Stunning Presentations
- 20,000:1 High Native Contrast for Crisp Readability
- 1.1x Zoom Ratio for High Setup Flexibility
- Simple Setup, Intuitive Operation, and Hassle-Free Maintenance
- Dual HDMI Inputs & Eco-Friendly Low Total Cost of Ownership
- BenQ Exclusive Picture Mode For Spreadsheet Contents



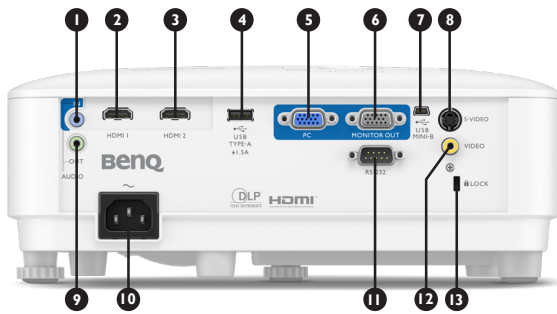
### Product Specifications

<b>Projection System</b>	DLP Single
<b>DMD Type</b>	0.55" SVGA
<b>Native Resolution</b>	800 x 600 pixels
<b>Brightness</b>	4,000 ANSI Lumens
<b>Contrast Ratio*</b>	20,000 : 1
<b>Display Color</b>	30 Bits / 1.07 Billion Colors
<b>Aspect Ratio</b>	Native 4:3 (5 aspect ratio selectable)
<b>Light Source</b>	Lamp
<b>Light Source life**</b>	Normal 6,000 hr / Economic 10,000 hr / SmartEco 10,000 hr / LampSave 15,000 hr
<b>Throw Ratio</b>	1.96~2.15
<b>Zoom Ratio</b>	1.1 x
<b>Keystone Correction</b>	Auto ID, Vertical +/- 40 degrees
<b>Projection Offset</b>	110.0%
<b>Projection Size</b>	60"~150"
<b>Built-in Speaker</b>	10W x 1
<b>Security</b>	Security Bar, Kensington lock
<b>Feature</b>	1D Auto Keystone, High Brightness, Spreadsheet mode, Bright Mode, Presentation Mode, Infographic Mode, Video Mode, Srgb Mode
<b>Resolution Support</b>	VGA (640 x 480) to WUXGA_RB (1920 x 1200)
<b>Horizontal Frequency</b>	15K~102KHz
<b>Vertical Scan Rate</b>	23~120 Hz
<b>HDTV Compatibility</b>	480i, 480p, 576i, 567p, 720p, 1080i, 1080p
<b>Video Compatibility</b>	NTSC, PAL, SECAM, SDTV (480i/576i), EDTV (480p/576p), HDTV (720p, 1080i/p 60Hz)
<b>Power Consumption</b>	Max 280W / Normal 260W / Eco 215W
<b>Standby Power Consumption</b>	Normal < 0.5W
<b>Power Supply</b>	100 ~ 240V AC
<b>Product Dimensions (W x H x D)</b>	296 x 120 x 221 mm
<b>Product Weight</b>	2.3kg +/- 200g
<b>Noise Level (Normal / Eco)</b>	34 / 29 dBA
<b>Operating Temperature</b>	0 ~ 40°C
<b>Accessories (Standard)</b>	Quick Start Guide (4JJND01.001) Remote Control (5JJND06.001) AAA Battery x 2 VGA Cable (1.5m) Power Cord (1.8m) Warranty Card (by Region)
<b>Accessories (Optional)</b>	Spare Lamp Kit (5JJND05.001) 3D Glasses (5JJ9H25.002) Ceiling Mount Qcast Mirror (5AJH328.10X) WDC10 WDC20
<b>On Screen Display Language</b>	Arabic / Bulgarian / Croatian / Czech / Danish / Dutch / English / Finnish / French / German / Greek / Hindi / Hungarian / Italian / Indonesian / Japanese / Korean / Norwegian / Polish / Portuguese / Romanian / Russian / Simplified Chinese / Spanish / Swedish / Turkish / Thai / Traditional Chinese / Farsi / Vietnamese (30 Languages)

\* The Contrast is measure by Full On Full Off standard.

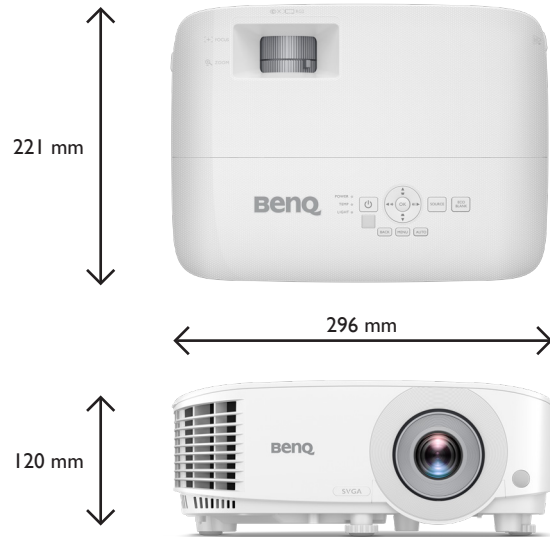
\*\*Light Source life results will vary depending on environmental conditions and usage. Actual product's features and specifications are subject to change without notice.

## Input and Output Terminals



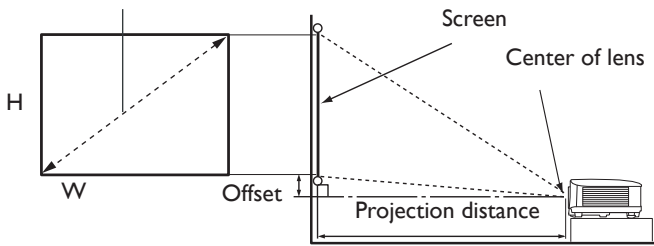
- 1 Audio Input (mini jack)
- 2 HDMI-1
- 3 HDMI-2
- 4 USB Type A (1.5A power)
- 5 Computer Input (D-sub 15pin, Female)
- 6 Monitor Output (D-sub 15pin, Female)
- 7 USB Type mini B (For FW upgrade)
- 8 S-Video
- 9 Audio Output (mini jack)
- 10 AC Power cord inlet
- 11 RS232 Input (D-sub 9pin, male)
- 12 Composite Video (RCA)
- 13 Kensington anti-theft lock slot

## Dimensions



## Distance Chart

4:3 Screen diagonal

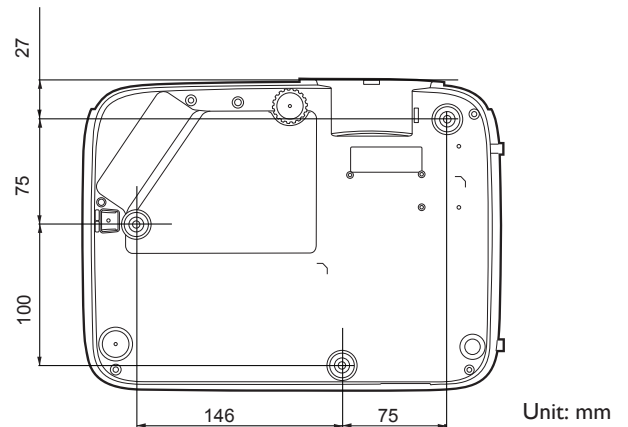


The screen aspect ratio is 4:3 and the projected picture is in a 4:3 aspect ratio

Screen size				Distance from screen (mm)			Offset (mm)
Diagonal		H	W	Min distance (max. zoom)	Average	Max distance (min. zoom)	
inch	mm	(mm)	(mm)				
30	762	457	610	1195	1253	1311	45
40	1016	610	813	1593	1670	1748	61
50	1270	762	1016	1991	2088	2184	76
60	1524	914	1219	2390	2505	2621	91
70	1778	1067	1422	2788	2923	3058	107
80	2032	1219	1626	3186	3341	3495	122
90	2286	1372	1829	3584	3758	3932	137
100	2540	1524	2032	3983	4176	4369	152
110	2794	1676	2235	4381	4593	4806	168
120	3048	1829	2438	4779	5011	5243	183
130	3302	1981	2642	5178	5428	5679	198
140	3556	2134	2845	5576	5846	6116	213
150	3810	2286	3048	5974	6264	6553	229
160	4064	2438	3251	6372	6681	6990	244
170	4318	2591	3454	6771	7099	7427	259
180	4572	2743	3658	7169	7516	7864	274
190	4826	2896	3861	7567	7934	8301	290
200	5080	3048	4064	7965	8352	8738	305
250	6350	3810	5080	9957	10439	10922	381
300	7620	4572	6096	11948	12527	13106	457

## Ceiling Mount Chart

Ceiling/Wall mount screw: M4  
(Max L = 25 mm; Min L = 20 mm)



BenQ Europe B.V.

Meerenakkerweg 1-17  
5652 AR Eindhoven  
The Netherlands  
Tel: +31 88 8889200  
Fax: +31 88 8889299

BenQ.eu

© 2020 BenQ Corp. Specification may vary by region, please visit your local stores for details.  
Actual product's features and specifications are subject to change without notice.  
This material may include corporate names and trademarks of third parties which are the properties of the third parties respectively.

