

EW800ST

BenQ DLP Projector



Features

- 3300 ANSI Lumens
- BenQ Education Launcher
- Wireless Mirroring supported via Airplay, Chromecast
- APP availability via BenQ Suggest APP
- Personalized account management via BenQ AMS



Product Specifications

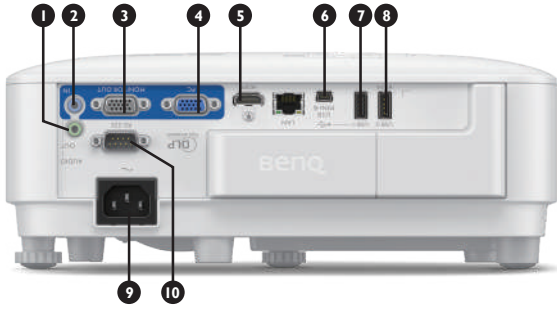
Projection System	DLP Single 0.65" WXGA
DMD type	DC3 DMD chip
Native Resolution	1280 x 800 pixels, 16:10
Brightness	3,300 Lumens
Contrast Ratio*	20,000 : 1
Display Color	1.07 Billion Colors
Aspect Ratio	Native 16 : 10 (5 aspect ratio selectable)
Light Source	Lamp 200W
Light Source life*	Normal 5000 hrs; Economic 10000 hrs; SmartEco 10000 hrs; LampSave 15000 hrs
Throw Ratio	0.49
Zoom Ratio	Fixed
Lens Control	Manual Focus
Keystone Correction	1D, Vertical +/- 30 degrees
Projection Offset	105±2.5% (Full-Height)
Projection Size	70"~120"
Built-in Speaker	2W x1
Security Feature	Security Bar; Kensington anti-theft lock slot
OS System	Android 6.0
ROM / RAM	16GB / 2GB
Wireless	Dual Band 802.11 a/c/b/g/n, 2.4G/5G
Bluetooth	4.0
Resolution Support	VGA (640 x 480) to WUXGA_RB (1920 x 1200)
Horizontal Frequency	15~102KHz
Vertical Scan Rate	23~120Hz
HDTV Compatibility	480i, 480p, 576i, 567p, 720p, 1080i, 1080p
Video Compatibility	NTSC, PAL, SECAM
Power Consumption (Max / Normal / Eco)	Max 320W / Normal 280 W / Eco 235 W
Standby Power Consumption	Normal < 0.5W / Network < 2W
Power Supply	100 ~ 240V AC
Product Dimensions (W x H x D)	296 x 120 x 250 mm
Product Weight	2.6 kg +/- 200g
Noise Level (Normal / Eco)	33 / 29 dBA
Operating Temperature	0 ~ 40°C
Accessories (Standard)	Wireless Dongle: WDR02U Power Cord (by region) Remote Control with Battery (RCI023) VGA cable Warranty Card (by region) Quick Start Guide
Accessories (Optional)	Spare Lamp Kit (5J1LT05.001) 3D Glasses (5J19H25.002) Wall mount (WM06G3)
On Screen Display & Launcher Language	Arabic / Bulgarian / Croatian / Czech / Danish / Dutch / English / Finnish / French / German / Greek / Hindi / Hungarian / Italian / Indonesian / Japanese / Korean / Norwegian / Polish / Portuguese / Romanian / Russian / Simplified Chinese / Spanish / Swedish / Turkish / Thai / Traditional Chinese / Vietnamese / Farsi (30 Languages)

* The Contrast is measure by Full On Full Off standard.

* LightSource life results will vary depending on environmental conditions and usage. Actual product's features and specifications are subject to change without notice.

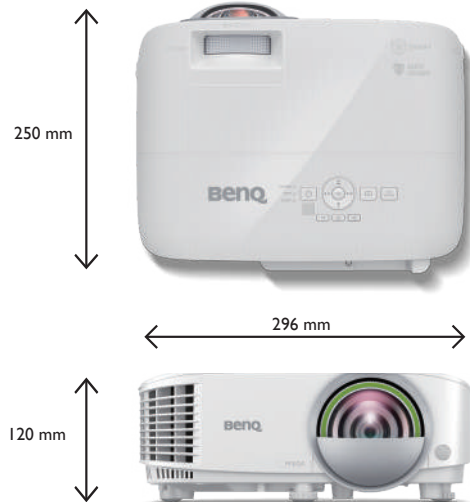
* Storage: Temperature: -20~60°C; Humidity: 10~90%RH (without condensation)

Input and Output Terminals

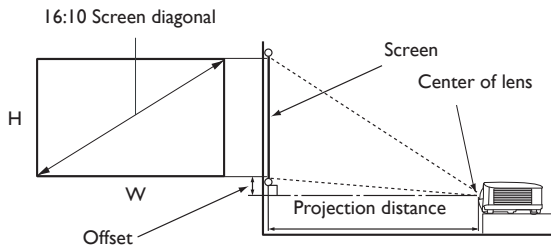


- | | |
|--|-----------------------------------|
| 1 Audio output (mini jack) | 6 USB Type mini B |
| 2 Audio input (mini jack) | 7 USB TypeA-1 |
| 3 Monitor output (D-sub 15pin, Female) | 8 USB TypeA-2 (5V,1.5A) |
| 4 PC (D-sub 15pin) | 9 AC Power cable inlet |
| 5 HDMI | 10 RS232 input (D-sub 9pin, male) |

Dimensions



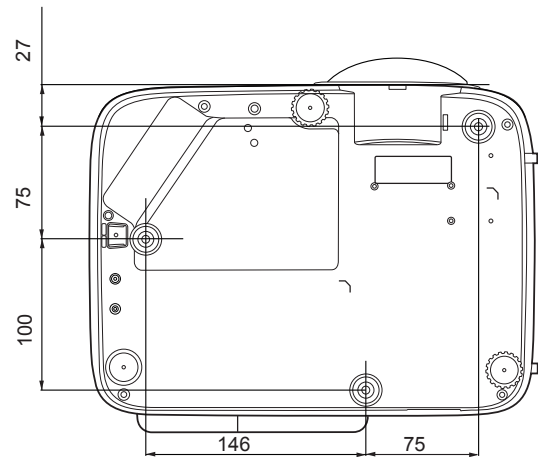
Distance Chart



Screen Size				Distance from screen	Offset
Diagonal	Height	Width			
inch	mm	mm	mm	mm	mm
70	1778	942	1508	739	47
80	2032	1077	1723	844	54
90	2286	1212	1939	950	61
100	2540	1346	2154	1055	67
110	2794	1481	2369	1161	74
120	3048	1615	2585	1267	81

The Screen aspect ratio is 16 : 10 and the projected picture is in a 16 : 10 aspect ratio.

Ceiling Mount Chart



BenQ Europe B.V.

Meerenakkerweg 1-17
5652 AR Eindhoven
The Netherlands
Tel: +31 88 8889200
Fax: +31 88 8889299

BenQ.eu

© 2020 BenQ Corp. Specifications may vary by region, please visit your local stores for details. Actual product's features and specifications are subject to change without notice. This material may include corporate names and trademarks of third parties which are the properties of the third parties respectively.

